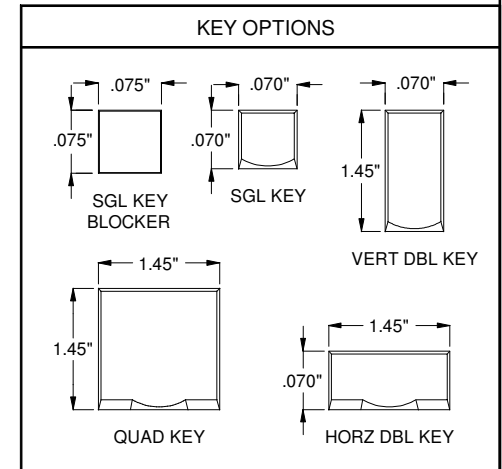
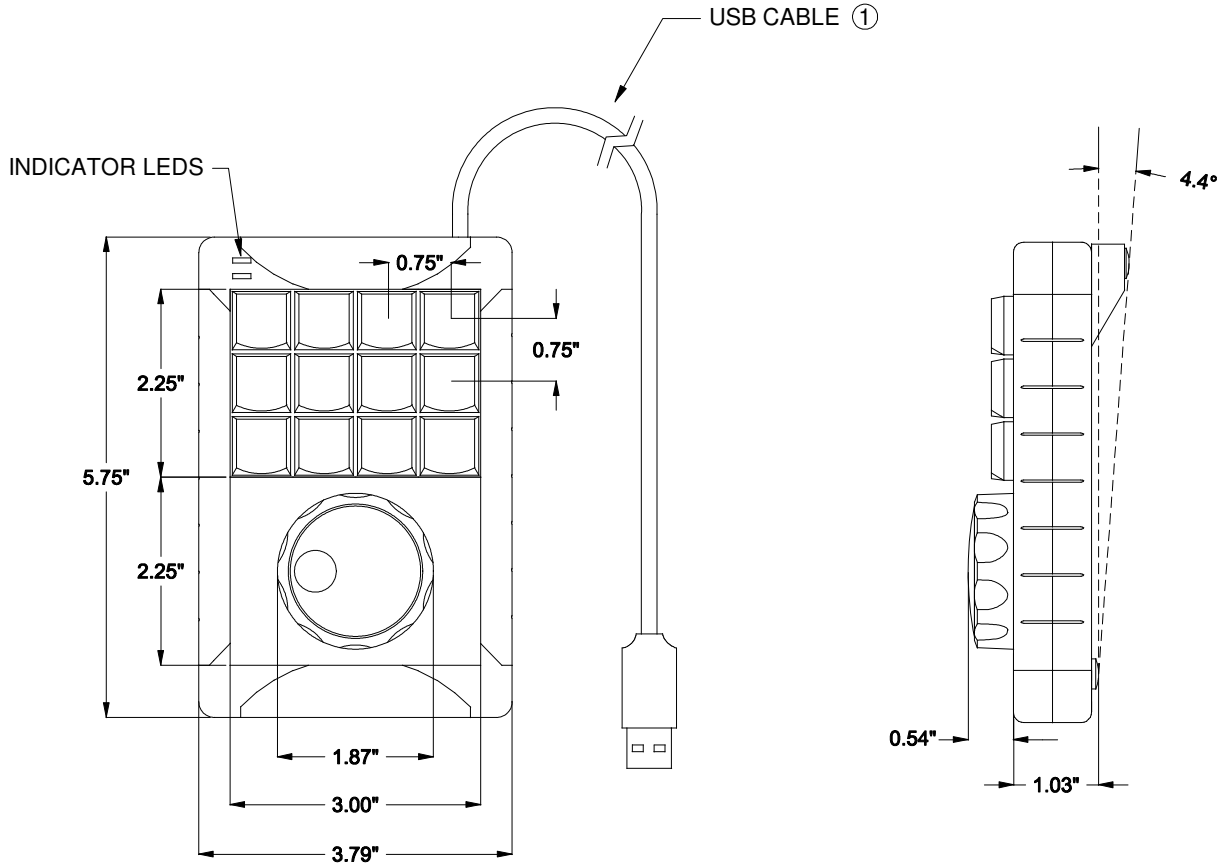


- ① LOA = 54"
- ② INCLUDES TWO REMOVABLE FEET



REV	DESCRIPTION	DATE

PI ENGINEERING



101 INNOVATION PARKWAY
 WILLIAMSTON, MI 48895 U.S.A.
 PH# 1-517-655-5523
 WWW.PIENGINEERING.COM

DWG BY M.L.R. | APPR BY | DATE 26 Jul 2013

JOB NO.:

CUSTOMER:

PRODUCT: XK-12 Jog & Shuttle

TITLE: PRODUCT DETAIL DRAWING

TOLERANCES UNLESS OTHERWISE SPECIFIED
 X.XX = ± 0.010
 X.XXX = ± 0.005

THIS DRAWING AND THE INFORMATION CONTAINED ARE THE PROPERTY OF PI ENGINEERING AND IT IS NOT TO BE REPRODUCED, COPIED OR USED IN ANY WAY DETRIMENTAL TO THE INTEREST OF PI ENGINEERING

SCALE: NTS

SIZE: A4