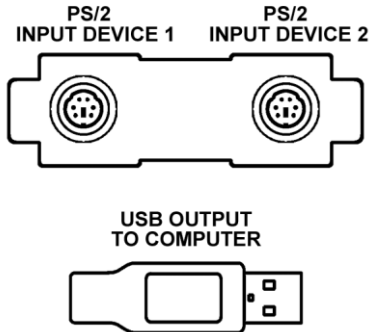


Y-mouse[®] Keyboard and Mouse Adapter for USB (WHYM-271)



- Turn your laptop into a desktop with one simple connection
- Connect a full size PS/2 keyboard and mouse through the same USB port
- Use PS/2 input devices on a USB PC or Macintosh
- Great for connecting a PS/2 KVM system to a USB computer
- Now supports high-powered PS/2 devices.

The **Y-mouse Keyboard and Mouse Adapter for USB** works with any standard PS/2 mouse and keyboard. It connects to the USB port and uses the operating system's built-in HID drivers. The hardware buffers and transmits messages from both devices so they may work simultaneously on one USB port. The adapter can also be used to convert 2 mice or 2 keyboards from PS/2 to USB format.

Special settings for this adapter support different keyboard settings (see manual). A version of this adapter is also available for high powered devices like bar code readers (OEM-35-HP) as is a version to support special Sun Systems keystrokes (OEM-83-ST).

Specifications

Hardware System	Systems with USB ports
Operating System	Win 98, Me, 2000, XP, Mac OS 9, OS-X, and others supporting HID devices
Connectors	One USB "A", two mini-DIN 6 pin sockets
Dimensions	4" x 2.5" x .75", 100 mm x 63 mm x 20 mm without cord
Weight	2 oz., 60 grams
Power Consumption	Low power USB device – less than 5 ma @ 5 vdc plus the power required by mouse and keyboard
Power Source	USB bus powered device
Nominal Voltage	5 vdc
Software	None required – HID compliant device
Certification	FCC class B, CE

Specifications subject to change without notice

P.I. Engineering

101 Innovation Parkway, Williamston, Michigan 48895-1663

Phone: 800/628-3185 or 517/655-5523, Fax: 517/655-4926

www.ymouse.com